



# Specification Manual

## ALUMINIUM SHUTTERS

ALUMINIUM SHUTTERS

*Shading and Privacy Solutions*

FIXED & OPERABLE

# Vueline Aluminium Shutter

## Contents

<b>Technical Data</b>	<b>3</b>
<b>Powdercoat Colours</b>	<b>4</b>
<b>Specifications</b>	<b>5</b>
• Blade Options	<b>5</b>
• Style Options	<b>5</b>
• Midrails	<b>6</b>
• Tiltrod Option	<b>6</b>
• Framing Options	<b>7</b>
• U-Channel – Options	<b>8</b>
• Angles	<b>9</b>
<b>Mounting Methods</b>	<b>10</b>
• Hinged/Framed	<b>10</b>
L Framed/Z Framed	<b>10</b>
Direct Hinged	<b>10</b>
Hinged/Framed layout codes	<b>11</b>
• U-Channel Mount	<b>12</b>
U-Channel Mounted layout codes	<b>13</b>
• Bi-Fold	<b>14</b>
Bi-fold layout codes	<b>15</b>
• Sliding	<b>16</b>
Sliding layout codes	<b>18</b>
<b>Measuring Instructions</b>	<b>19</b>
<b>Shutter Deductions</b>	<b>19</b>
<b>Accessories</b>	<b>20</b>
<b>Vueline Aluminium Fixed Blade Shutter</b>	<b>22</b>



# Vueline Aluminium Shutter

## Technical Data

General Information	IMPORTED	LOCAL
<b>Feature</b>		
Application	External and Internal	External and Internal
Lead Times	6-8 weeks	3-5 weeks
Construction	extruded aluminium with aluminium end caps and blades	extruded aluminium with coloured nylon end caps to blades and stiles
<b>Warranty</b>		
Construction	7 Years	7 Years
Coating	7 Years	7 Years
<b>Colours</b>		
Standard	Gloss White, Satin White, Birch White, Matt Black, and Silver (refer to swatch)	Gloss White, Satin White, Birch White, Black and Anodised (refer to swatch)
Wood Grains (surcharge)	Jarrah, Medium Cedar (refer to swatch) (+2 week lead time)	see reverse (ask for brochure) (+2 week lead time)
Custom Colours (surcharge)	Available list of 14 colours- see reverse (+2 week lead time)	Available- see reverse (+2 week lead time)
<b>Paint Types</b>		
Standard and Wood Look	Powdercoated	Powdercoated/Anodised
Custom Colour	Powdercoated	Powdercoated
<b>Options</b>		
Blade Sizes (mm) std charge	89 and 114	90 and 115
Blade sizes surcharged	63	60 and 150
Stile Types	60 x 28.4mm Flat only	60 x 30mm Beaded (Flat- Optional)
Stile Design	Square or D Mould (see reverse for diagrams)	Square or D Mould (see reverse for diagrams)
Tiltrod types	"T" section Clearview bar	"T" section Clearview bar
Framing	L Frame, Z Frame and T posts (see reverse for diagrams)	L Frame, T posts and Angle optional
Fixed Panels	U channel top and bottom, H and C sections included	U channel top and bottom ( H and C sections optional )
Hinges	Lift off hinge (flag hinge)	Hirline Hinge (fixed), Pivot Hinge (optional must specify) and loose pin
Special Shapes	Rake (uneven sides) only	Rake (uneven sides) only POA
Locks and Bolts	Flush Bolt, Key Lock and Door Handle with lock	Flush Bolt, Key Lock and Door Handle with lock
Stainless Steel Hardware	Provided as standard	Provided as standard
<b>Specifications</b>		
Max Width Hinged Panel	(90 and 114) 1000mm / (63) 900mm	1000mm
Max Width Fixed/Slider Panel	(90 and 114) 1350mm / (63) 1000mm	1350mm
Max Width- Bi Fold Panel	(90 and 114) 700mm / (63) 600	750mm
Max Width- Double hinged per pair of panels	1000mm	1000mm
Midrail required	Over 2000mm drop	Over 2000mm drop
Second Midrail required	Over 3000mm drop	Over 3000mm drop
Max Panel Height	3600mm	3600mm
Minimum panel width	400mm	400mm
Minimum Panel height	400mm for all applications	400mm for all applications



# Vueline Aluminium Shutter Powder Coat Colours

## Imported



### Standard Colours

Gloss White	Satin White	Cream (Birch White)	Silver
Black			

### Wood-grain Colours

Jarrah	Medium Cedar
--------	--------------

### Custom Colours (Colorbond Colours)

Surfmist	Shale Grey	Paperbark	Manor Red
Ironstone	Classic Cream	Jasper	Cottage Green
Loft	Dune	Woodland Grey	
Monument	Pale Eucalypt	Deep Ocean	

## Local



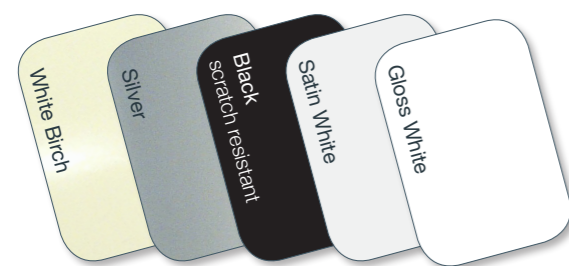
### Standard Colours

Gloss White	Satin White	Cream (Birch White)	Silver
Black			

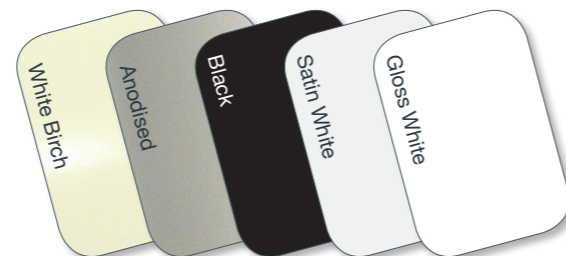
### Local Custom Colours (Colorbond Colours)

Anodic Grey	Dune	Notre Dame	Shoji White
APO Grey	Evening Haze	Off White	Stone Beige
Barley	Hammersly Brown	Olde Pewter	Storm Grey
Blue Ridge	Hawthorn Green	Oyster Grey	Surf Mist
Bright White	Headland	Pale Eucalyptus	Wedgewood
Bushland	Heritage Green	Pandemonium Silver	White Satin
Charcoal	Ironstone	Paper Bark	Wilderness
Charcoal Metallic	Jasper	Pottery	Wind Spray
Citi Pearl	Loft	Precious Silver Pearl	Wizard
Classic Cream	Magnolia	Primrose	Woodland Grey
Cottage Green	Manor Red	River Gum	
Deep Ocean	Monument	Sand Bank	
Doeskin	Night Sky	Shale Grey	

## IMPORTED



Plus 2 woodgrains and 14 custom colours available



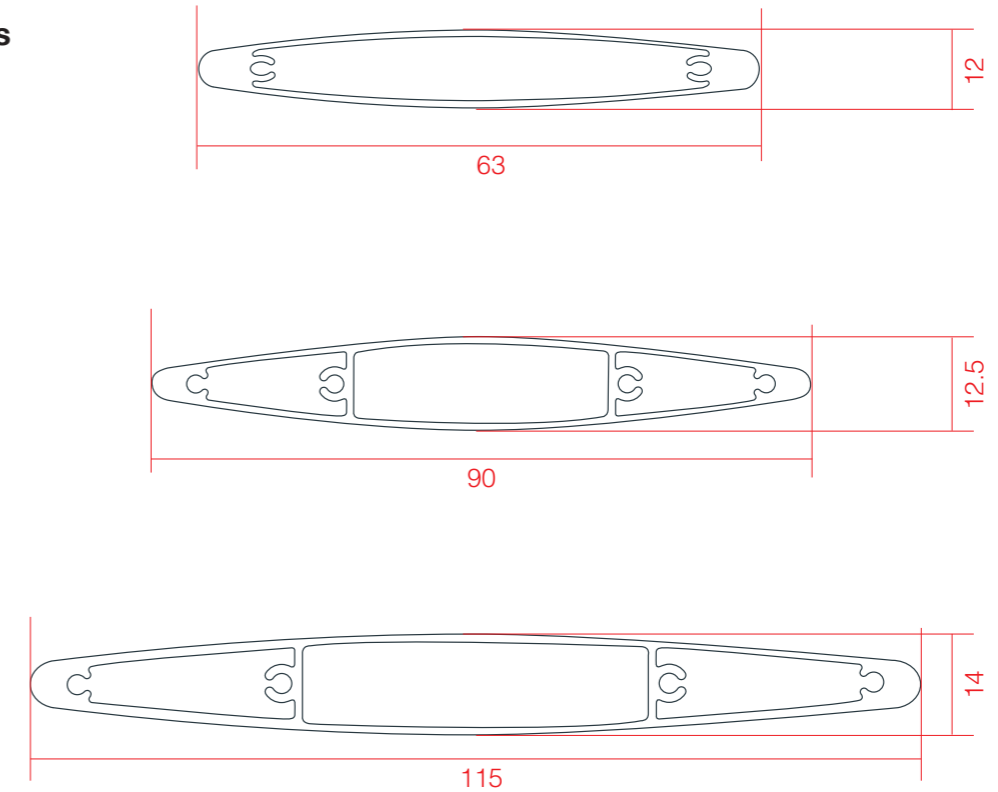
Plus a wide range of woodgrains and custom colours available

Colours may vary, please refer to colour samples Please ask about any other colours available.

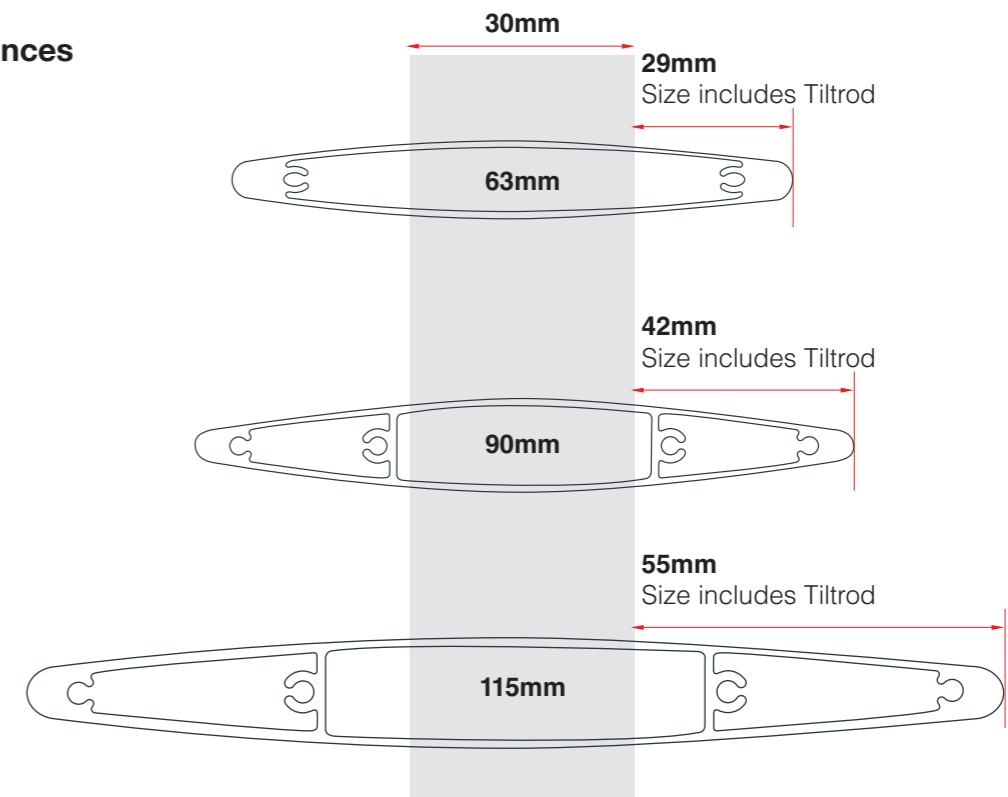
# Vueline Aluminium Shutter Blades



## Options



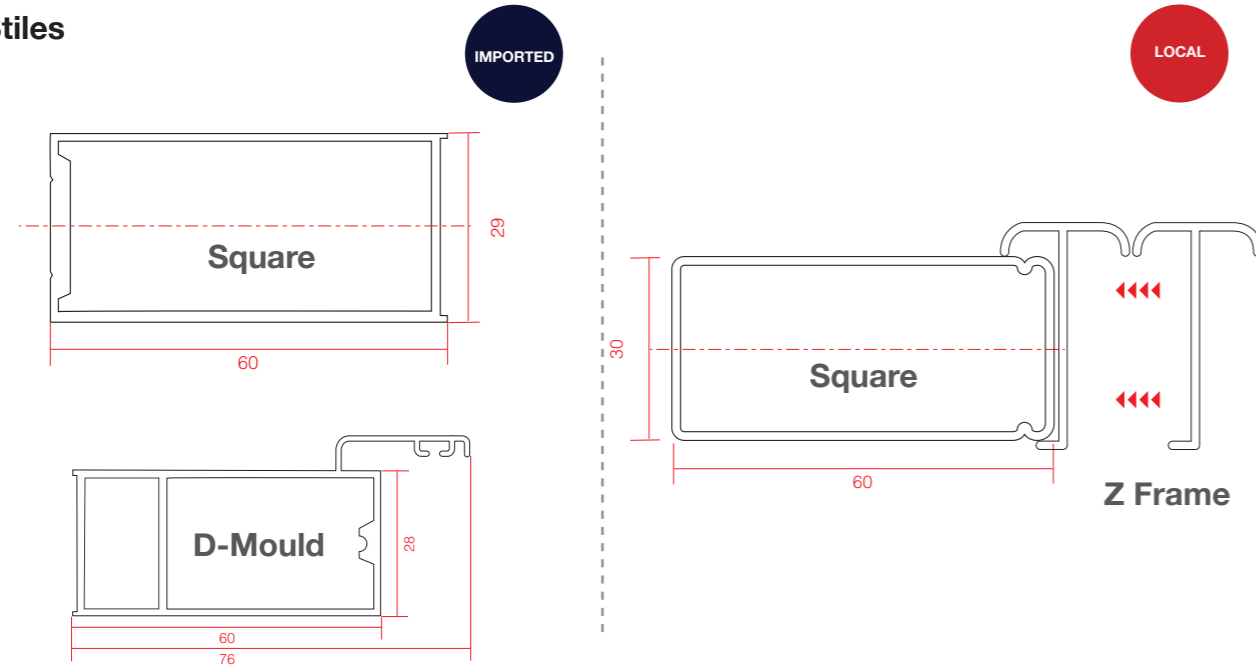
## Clearances



# Vueline Aluminium Shutter

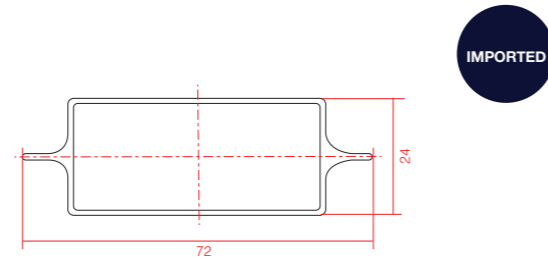
## Stiles and Midrails

### Stiles



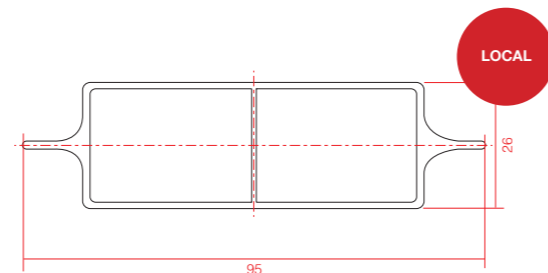
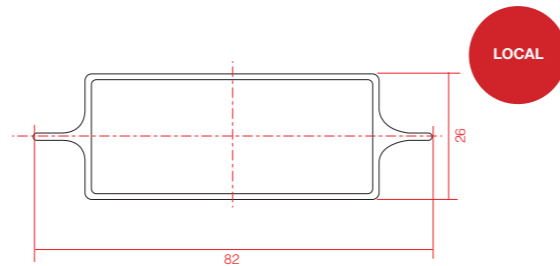
### Midrail

When measuring for a Mid Rail, measure from the bottom of the opening of the frame to the centre of where you would like the Mid Rail to be positioned. This will be positioned as you request within a tolerance up or down of **half a blade.**



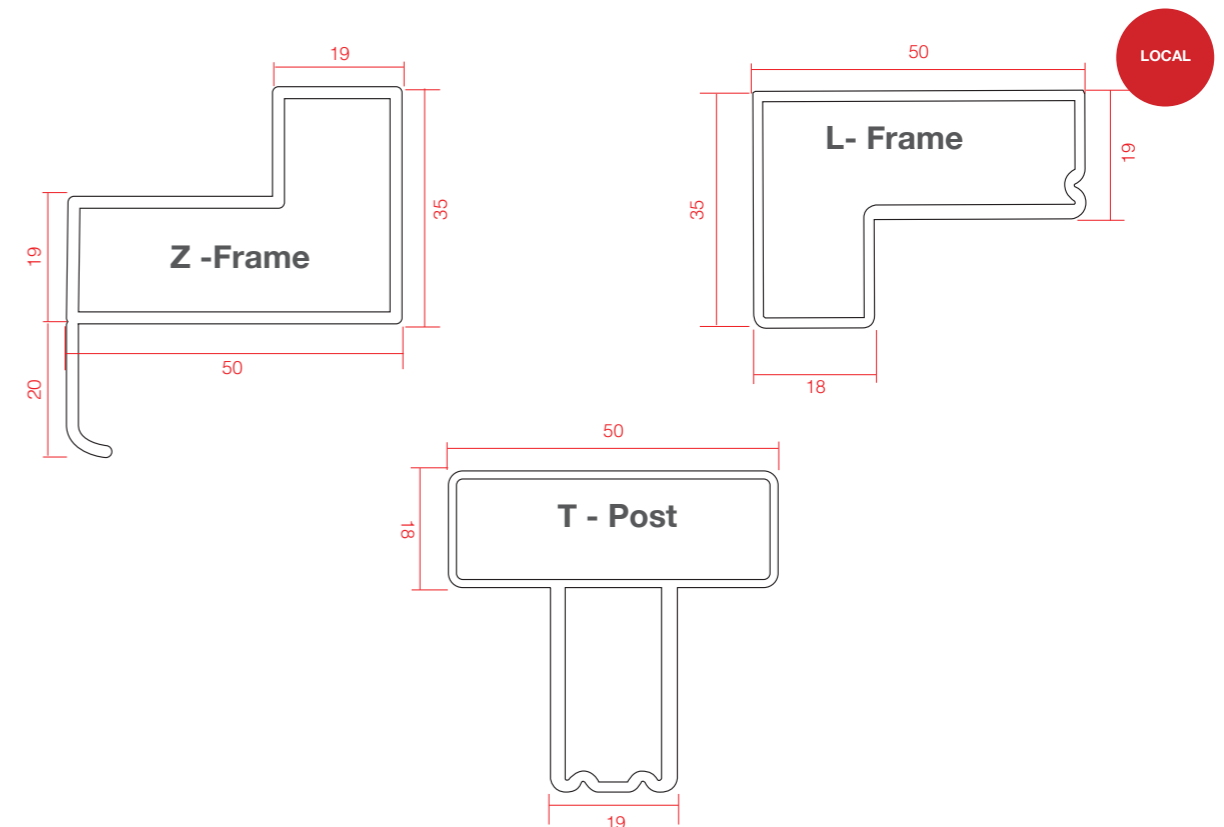
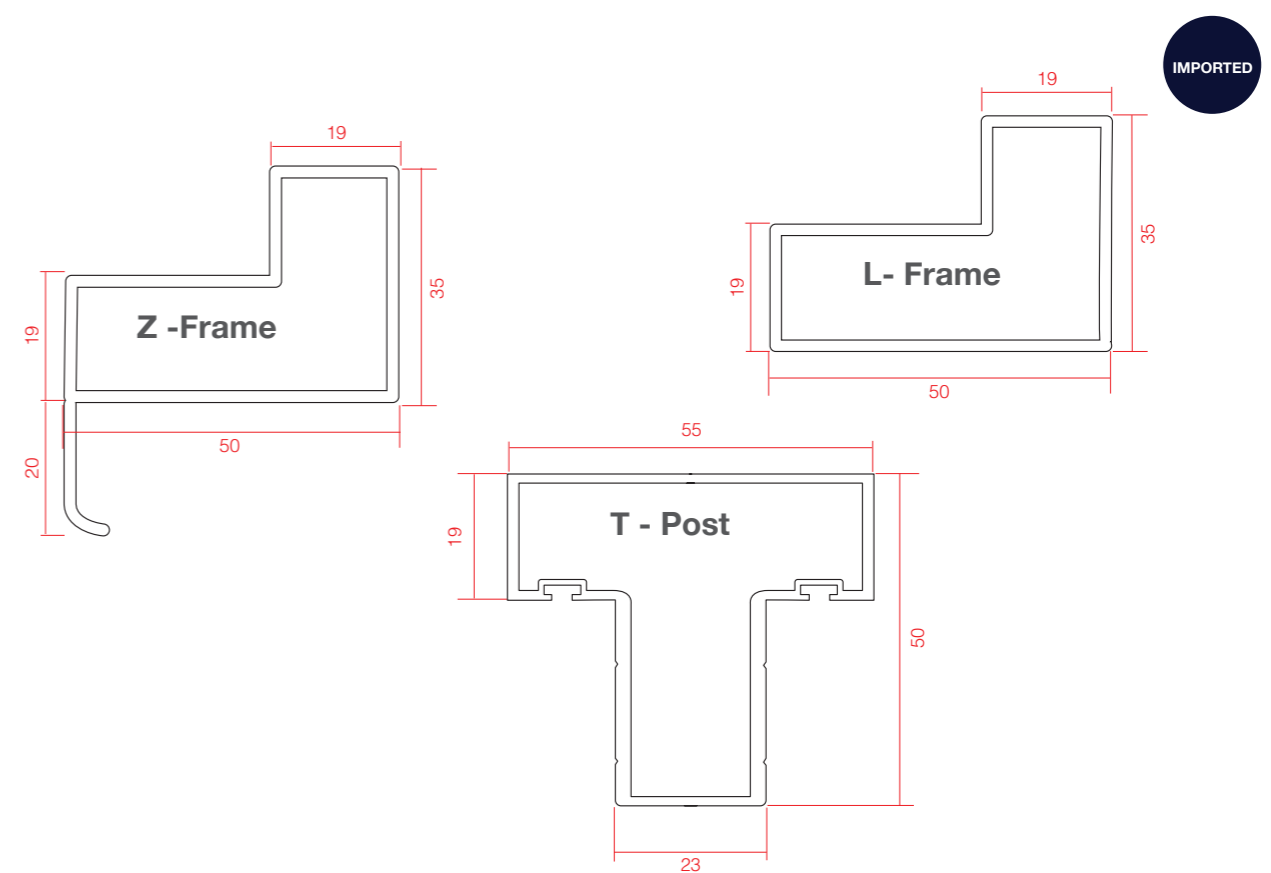
### Tiltrod

1. Tiltrod is only available in Clearview only.
2. When ordering, please specify in "Tiltrod Type" whether you want the tiltrod on the back or the front of the shutter. Please note if it is not specified the default is; Tiltrod on the back.
3. For Wide Panels you may order dual Tiltrods, for improved closure. (Surcharge Applies – See Pricelist)



# Vueline Aluminium Shutter

## Framing Options

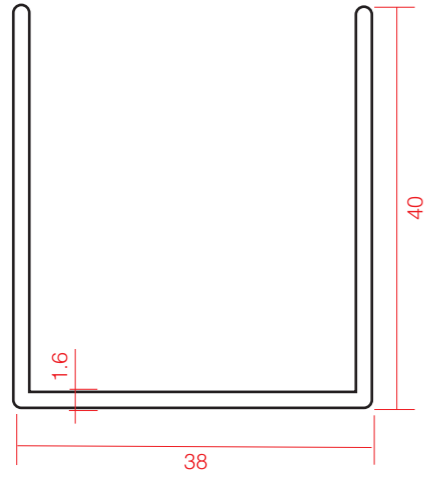


# Vueline Aluminium Shutter

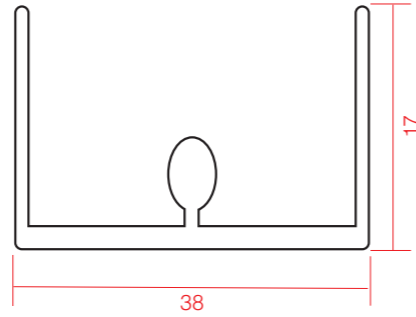
## U - Channel Options

### Local Made Standard U Channels

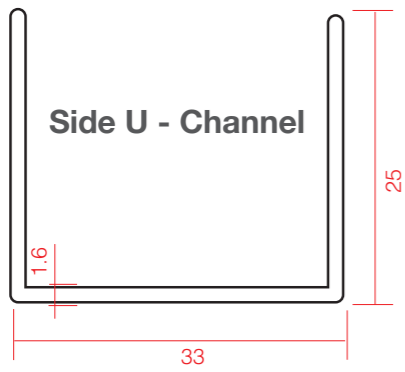
IMPORTED



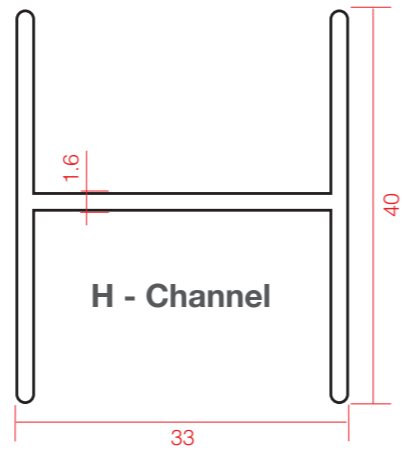
Top U - Channel



Bottom U - Channel

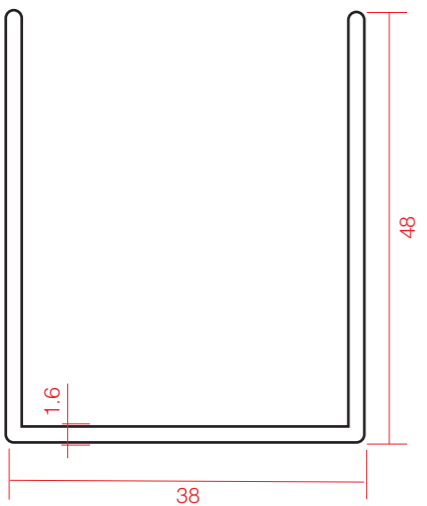


Side U - Channel

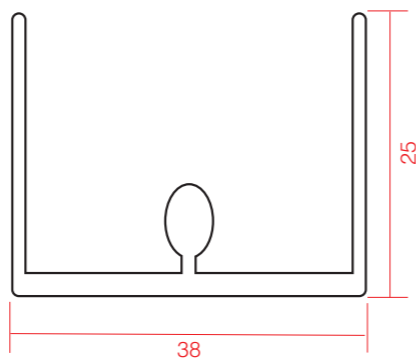


H - Channel

LOCAL



Top U - Channel

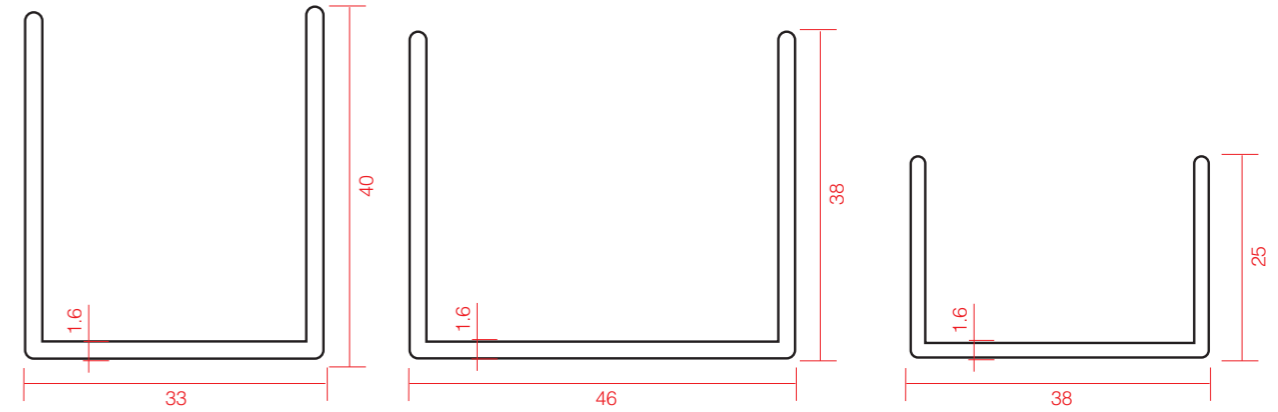


Bottom U - Channel

# Vueline Aluminium Shutter

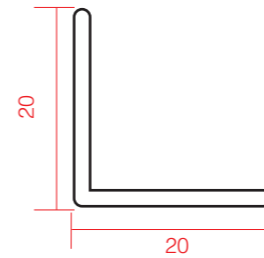
## Extra Channels & Angles

### Extra U-Channels

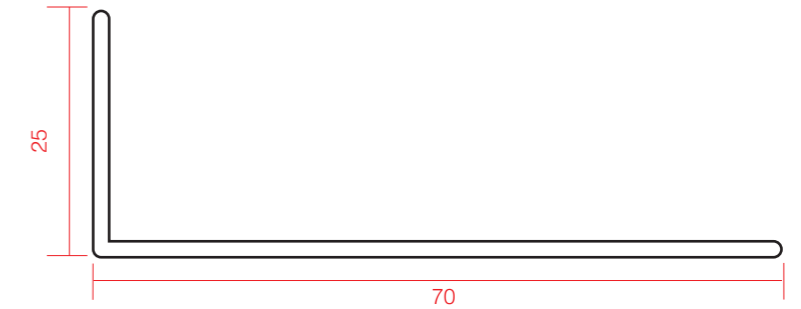


### Angles:

IMPORTED

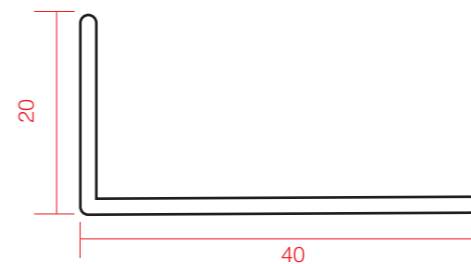


20x20, 20x40, 25x50 Angle

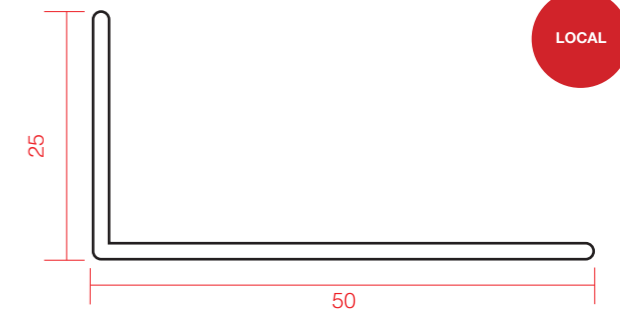


25 x 70 Angle

LOCAL



20x40 Angle



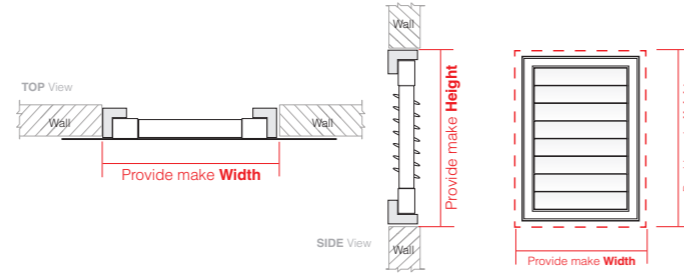
20x20 25x12 25x25 40x40  
50x25 70x25 80x50 25x50 Angles

# Vueline Aluminium Shutter

## Mounting Methods: Hinged / Framed

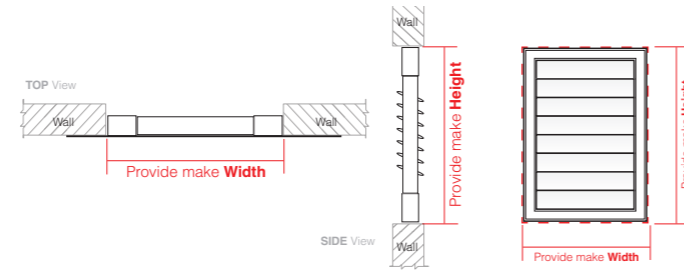
### L Frame / Z Frame : Framed

Measurement supplied on your order form for L-framed or Z framed should be **make sizes**. We recommend a deduction of 3mm off the width and the height. For out of square windows however, more tolerance may be made.



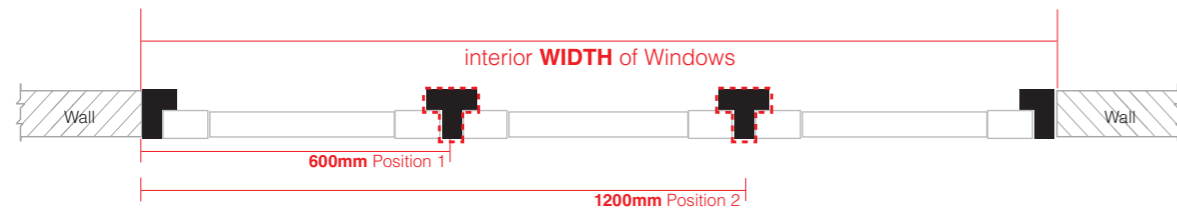
### Direct Hinged: No Frame

With installing panels only, without the use of frames, we recommend for single panels, the **make size** measurements given should have a 5 mm deduction off the width and 6 mm off the height. We recommend if there is more than one panel, a 6 mm deduction off the width and height should be made. **Do not take** deductions off between the panels, as the factory will deduct 3 mm between panels.



### T-Post:

When measuring for T-Posts, it is suggested that these be placed where there is a mullion or break in the opening or glass. Please always specify on the order form where you want the T-Post to be, this is to be measured from the left of the window opening to the centre of where you would like T-Post to be positioned. If there is more than one T-Post required, then the second T-post and the Third T-Post (and so on) are also to be measured from the left.



### Order Form Example

Uneven T-Post, or Panel Split Measurements (from left hand side to centre of post or split)						
Item #	1st Post or Split	2nd Post or Split	3rd Post or Split	4th Post or Split	5th Post or Split	6th Post or Split
Bed Room 1	600mm	1200mm				

**Please Note:** If measurements are not provided, the factory will evenly position the T-Post

# Vueline Aluminium Shutter

## Mounting Methods: Hinged / Framed

### D-Mould

If D-Mould is required between panels please specify in the "Stile Design" column of the order form. In the Layout code also place a D between panels that require a D-mould. Use LD-R or LD/R if you want the D-mould on the left panel, and L-DR or L/DR if you want the D-Mould on the Right panel

### Hinged/Framed Layout Codes:

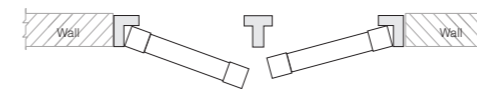
1 panel, Configuration code: **L or R**



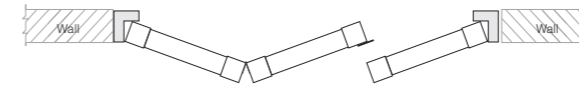
2 panel, Configuration Code: **L-DR or LD-R**



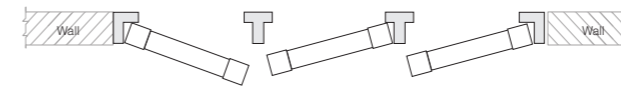
2 panel with T-Post, Configuration code: **LTR**



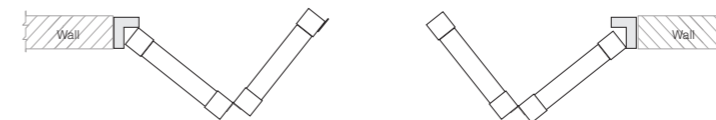
3 panel, Configuration code: **L-DRR or LLD-R**



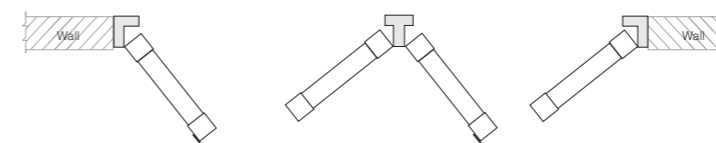
3 panel with T-Post, Configuration Code: **LTRTR or LTLTR**



4 panel, Configuration code: **LLD-RR or LL-DRR**



4 panel with T-Post, Configuration code: **L-DRTL-DR or LTRTLTR**

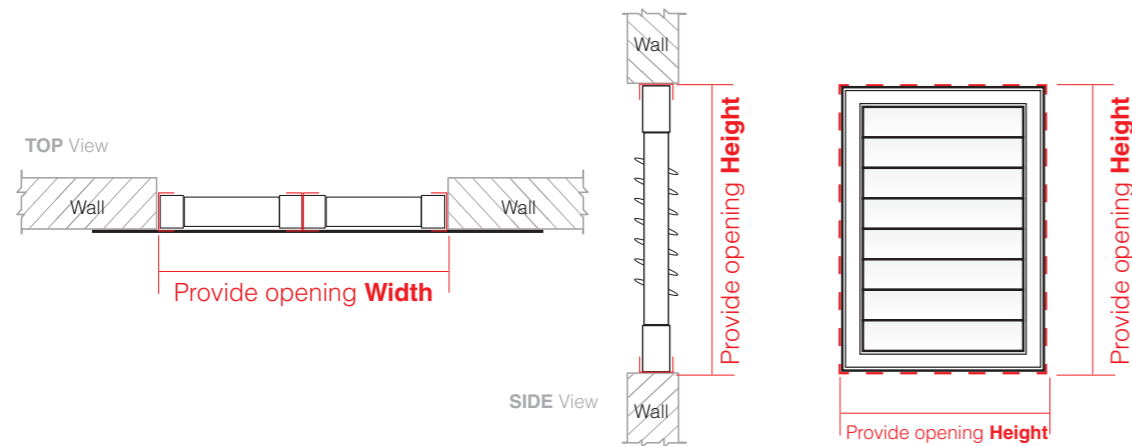


## Vueline Aluminium Shutter

### U-Channel Mounted : Mounting Types

#### Fixed with U-Channel:

When measuring for U-Channel Mount, measure the opening height and the opening



#### U-Channel:

Select "U-Channel" in the mounting method column, and under framing options, select "Yes" for top and bottom. With these selections you will be provided with a Top U-Channel and a Bottom U-Channel. If you require U-Channel on the side select "Yes" for Left and/or Right.

#### U-Channel with side angles:

Select "U-Channel with side angles" in the mounting method column, and under framing options select "Yes" for Left, Right, Top and Bottom. With these selections you will be provided with a Top U-Channel, a Bottom U-channel and two 20 x20 Angles. If you do not require an angle on one side, select "No" for the side you don't require the angle.

#### H-Section:

If you require H-Section between panels, place a "H" in the layout code between panels which you require a H-Section. E.g. **FHF**

## Vueline Aluminium Shutter

### U-Channel Mounted

#### U-Channel Mounted Layout Codes:

1 panel, Configuration code: **F**



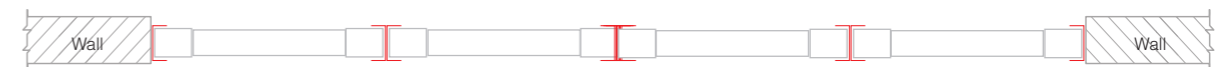
2 panel, Configuration Code: **FHF**



3 panel, Configuration code: **FHFHF**



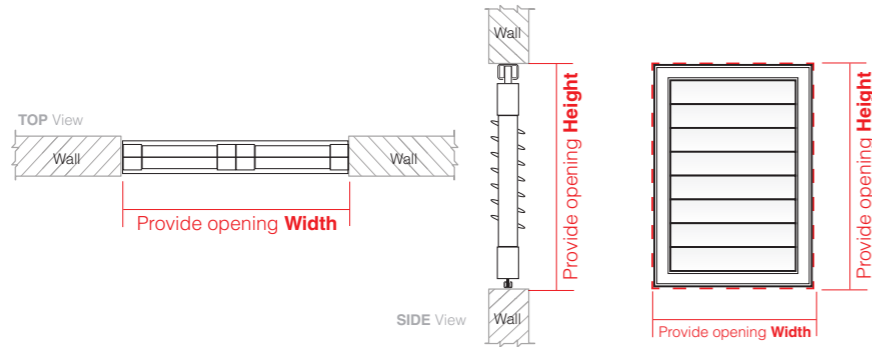
4 panel, Configuration code: **FHFHFHF**



# Vueline Aluminium Shutter

## Bi Folds

When measuring for Bi-Fold shutters, measure the opening height and the opening width. The factory will take all required deductions.



### Top and Bottom Bi Fold Components

When ordering Bi-fold Shutter you will receive the following tracking components:

**Carrier:** A four Wheel carrier with stainless steel bearings and cast Aluminium body. Includes a cast Aluminium mounting bracket.

**Pivot Set:** Stainless steel top and bottom pivot set. The bottom pivot has sideways adjustment of up to 6mm to ensure accuracy in bi-folding movements.

**A6 tracking**

**Top Track 41 x 31mm**

**Floor Track 24x25mm**

**Nylon Guide**

**Top Track 41 x 40**

**Floor Track 24x50**

**Nylon Guide**

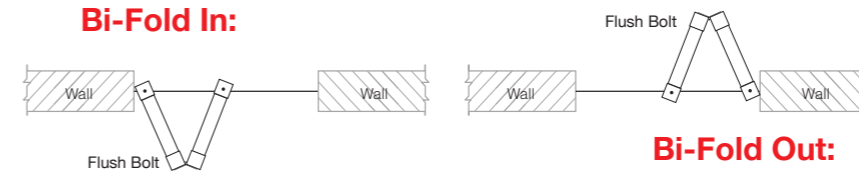
**Nylon Floor Guide**

**Floor Track 24x25mm**

# Vueline Aluminium Shutter

## Points to Remember

1. **Bi-Folding In/Out:** When ordering ensure you select where it is Bi-folding In or Bi-folding Out. If nothing is selected the Default is Bi-Folding In.

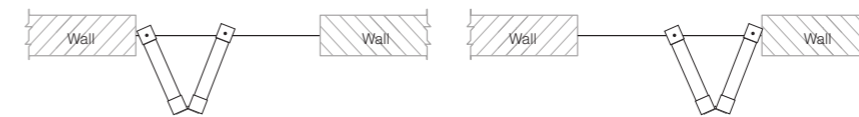


2. **Pelmets:** Please note pelmets are not included as standard. If you require a Pelmet, please order a 20x40 angle in the angle section of the order form.

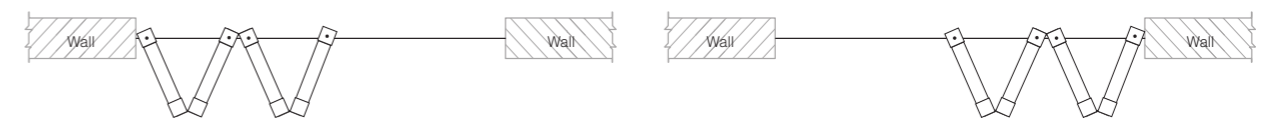
3. **Flush Bolts:** Flush bolts are needed to lock panels in. CW Systems recommend one flush bolt for every two panels.

### Bi-Fold Layout Codes:

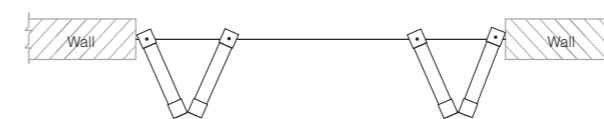
1 panel, Configuration code: **LL or RR**



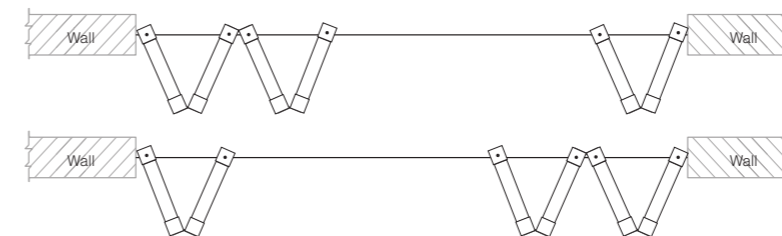
4 Panels one way, Configure code: **LLLL or RRRR**



4 Panels Centre opening, Configuration code: **LLRR**



6 Panels centre open, Configuration code: **LLRRRR or LLLLRR**

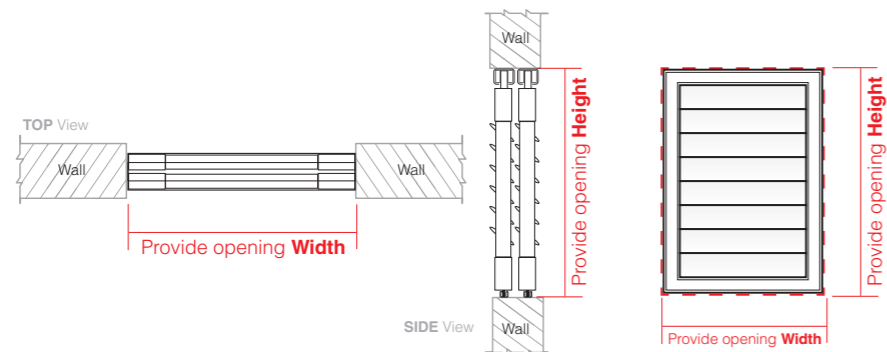




# Vueline Aluminium Shutter

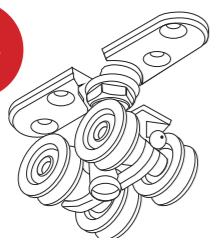
## Sliding

When measuring for sliding shutters, measure the opening height and the opening width. The factory will take all required deductions.

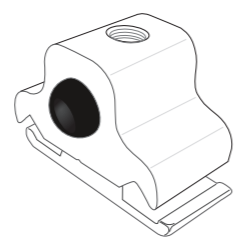


### Top and Bottom Rolling Sliding System:

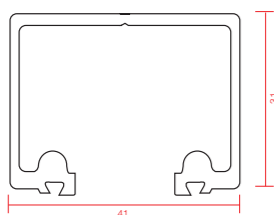
When ordering Bi-fold Shutter you will receive the following tracking components:



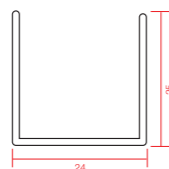
**Carrier:** A four Wheel carrier with stainless steel bearings and cast Aluminium body. Includes a cast Aluminium mounting bracket.



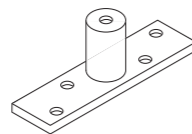
**Track Stop:** Mounts into the top track. Made from aluminium and stainless steel



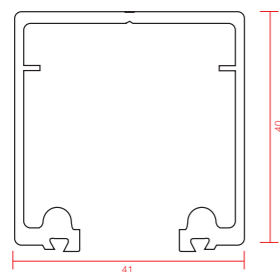
Top Track 41 x 31mm



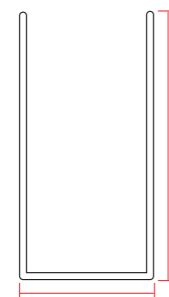
Floor Track 24x25mm



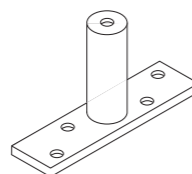
Nylon Guide



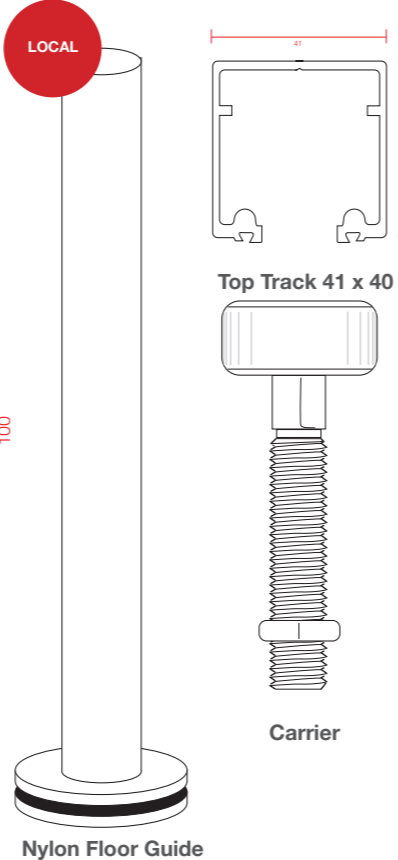
Top Track 41 x 40



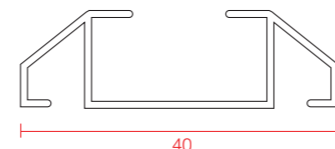
Floor Track 24x50



Nylon Guide



Nylon Floor Guide



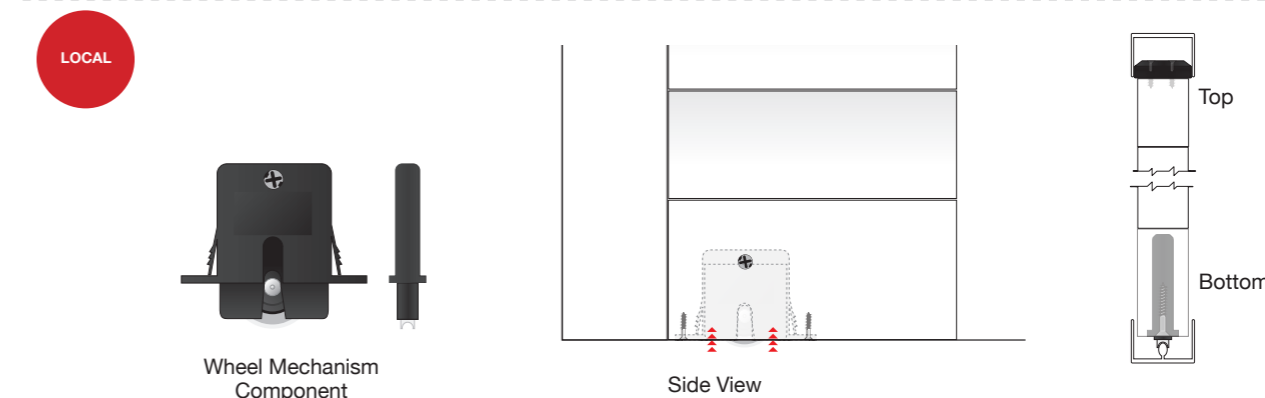
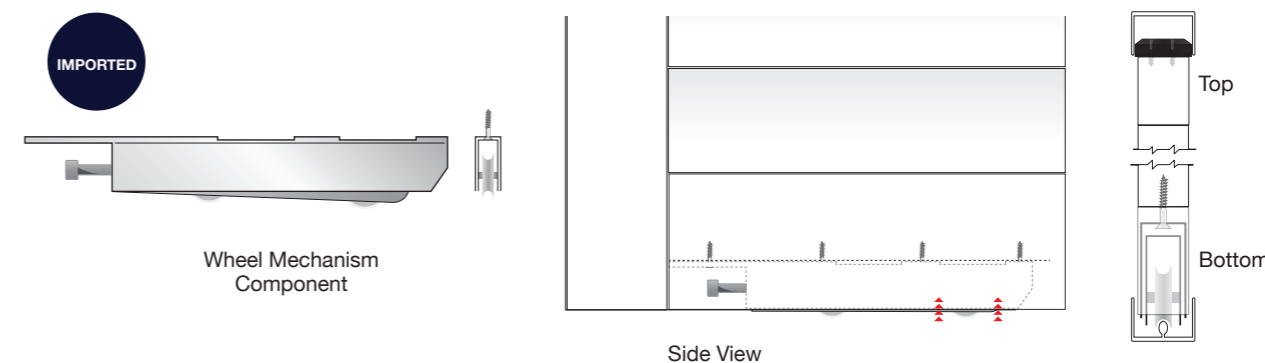
Floor Track 24x25mm

# Vueline Aluminium Shutter

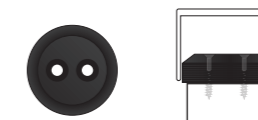
## Sliding

### Bottom Rolling Sliding System:

If you require bottom rolling Sliding, select "Sliding-Bottom Roll" in the Mounting method. You will be supplied with a 36 x 32 top U-Channel and an 18mm high bottom bubble track, together with top guide and bottom carrier which is concealed into the panel.



### Top Guide - Sliding System:



### Points to Remember:

1. Pelmet: Please note pelmets are not included as standard. If you require a Pelmet, please order a 25x75 angle in the angle section of the order form.
2. Track Distances: The recommended distance between track centres for sliding closed is; 40mm. The recommended distance between track centres for sliding opening; 64mm Blades- 90 mm, 89mm Blades- 115mm, 115 mm Blades - 140mm.
3. Reveal Fit Only: This Sliding system is for reveal fit only. If a face fit application is needed please speak to one of CW Systems staff and it will be priced on application.
4. Light Block: If you require light block between panels, please specify it in the notes. (Surcharge Applies)

# Vueline Aluminium Shutter

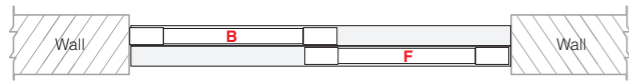
## Sliding

### Sliding Layout Codes:

When ordering the configuration of sliding panels please use 'B' and 'F', this is to be used in the **Layout Code** column on the **Order Form**.

'B' Back- meaning the panel is placed on the back track. This is generally in line with the fixed glass panel, of a sliding door.

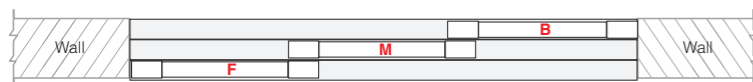
'F' Front -Meaning the panel is placed on the front track. This is generally in line with the opening of a glass sliding door.



3 Panels on 2 Tracks, Configuration code: **BFB** or **FBF**



3 Panels on 3 tracks, Configuration code: **BMF** or **FMB**



4 Panels on 2 tracks, Configuration code: **BFFB** or **FBBF**

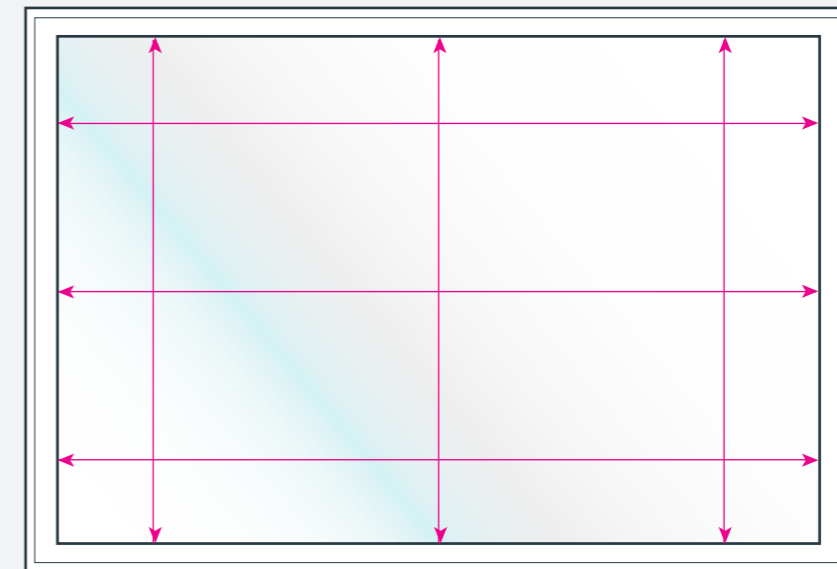


# Vueline Aluminium Shutter

## Measuring Instructions

### Points to Remember:

- Always measure the depth of the reveal where the shutters or the frame will be mounted to and ensure no mullions, handles or anything else could interfere with the operation of the blades when open.
- Like blinds, when measuring, the shutters should be measured in three places across the width and the drop. With Reveal fit use the smallest measurement. With Face fit use the largest measurement.



### Standard Deductions

Mounting Method	Width Deduction	Height Deduction
L- Frame	3 mm	3 mm
Z-Frame	3 mm	3 mm
Direct Hinge	6 mm	6 mm
U-channel	Opening Size	Opening Size
Bi-fold	Opening Size	Opening Size
Sliding	Opening Size	Opening Size

## Vueline Aluminium Shutter

### Accessories

#### Flush Bolts

If you required flush bolts please select this against the item in the “Locks & Bolts” section of the order form. The Flush Bolt supplied has an anodised aluminium fascia and cast zinc internal parts. This operates with a bolt in top or bottom of panel with 14mm throw. The standard position of the Flush Bolt will be 50mm from the bottom of the stile.

A White Powder coated flush bolt will be supplied as standard for Satin and Gloss White Shutters. The Anodised flush bolt will be supplied to all other colours.



#### Dead Lock:

If you require a deadlock please select it against the item in the “Locks & Bolts” section of the order form. The lock is a simple key hole style which operates both sides of the panel. The key operate a bolt in the top and/or the bottom of the panel.

Made from cast zinc and is powder coated black as standard. White is also available, if you require this please specify in the notes.

The standard position of the handle will be centres adjacent to the Mid-rail, or in the centre of the style if there is no Mid Rail. If you require any other position please specify it in the notes section in the “Locks & Bolts” section.

All identical locks in the same order will be keyed alike. If any different is required please specify in the notes.



## Vueline Aluminium Shutter

### Accessories

#### Handle Lock

If you require a Door Handle key please select this against the item in the “Locks & Bolts” section of the order. The Handle operates from both sides of the panel, and is made from cast zinc and is natural anodised as standard.

The standard position of the handle will be centres adjacent to the Mid-rail, or in the centre of the style if there is no Mid Rail. If you require any other position please specify it in the notes section in the “Locks & Bolts” section.

The inside edge of the handle is 95mm apart. This will not interfere with the operation of 64mm and 90mm blades.

All identical locks in the same order will be keyed alike. If any different is required please specify in the notes.



#### Drop Bolt:

If you require an External Mounted Drop Bolt, please select it against the item in the “Locks & Bolts” section of the order form. The Bolt is simply mounted to the external face of the Shutter stile on installation.

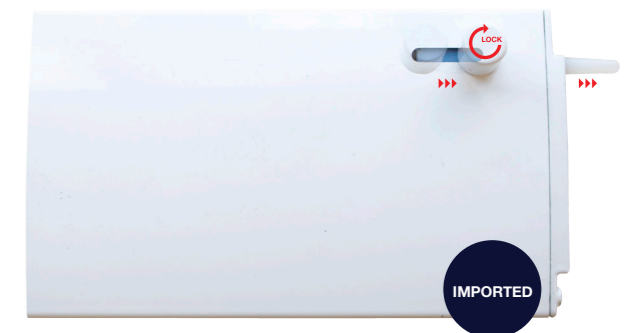
The Drop Bolt is supplied in Stainless Steel as standard.



#### Blade Lock:

Vueline Aluminium Shutters also come with versatility of a “Lockable Blade” option.

Blade Lock gives you that piece of mind, in windy conditions to be able to secure the blades and helps secure your property.



## Vueline Aluminium Shutter

### Accessories Fixed Blade series

#### Fixed Blades Shutter

Vueline Aluminium Fixed Blades Range utilises the same elliptical Blades while providing an aesthetically appealing privacy barrier.

A 3mm side extrusion maximises light control and a 30mm channel allows for a fixed blade panels to be slide, hinged, or fixed in place.

All blades work on a pitch of 85.0mm

#### Panel Specifications on fixed blades

Maximum recommended height 3000mm

MINIMUM	MAXIMUM	
130mm	<b>Hinged</b>	<b>Fixed or Slider</b>
	1000mm	1500mm

Available in both 90mm and 115mm blade. The width of the 115mm blade panel increases from 50mm to 100mm.

## Vueline Aluminium Shutter

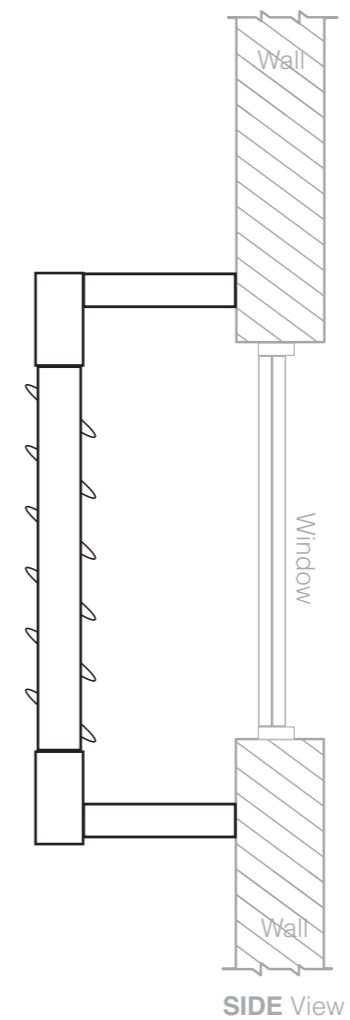
### Accessories Fixed Blade series

#### Mounted Panels off the Window

Where a panel is required to be mounted off a window opening a frame is created using a 50mm x 50mm square section which is attached to the building via u- bracket within the 50mm x 50mm section.

A f-section bracket is then applied into the other end for the attaching on site. The distance off the window is custom made and determined at the point of ordering.

All framing is colour matched to suit the colour required on the panel.



## Vueline Aluminium Shutter

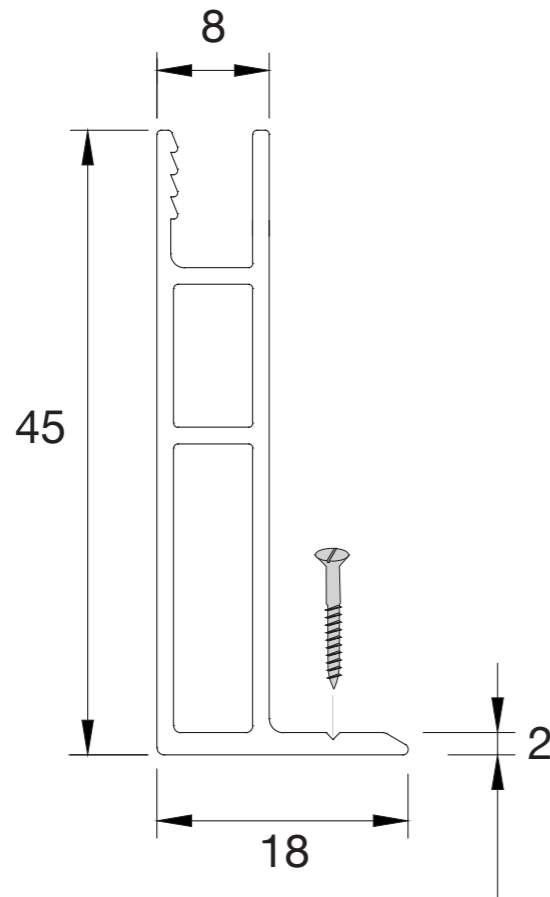
### Accessories Flyscreen buildouts

#### Flyscreen Buildouts

Vueline Aluminium Shutters has the option of flyscreen buildouts”.

This is designed to for the 89mm blade only.

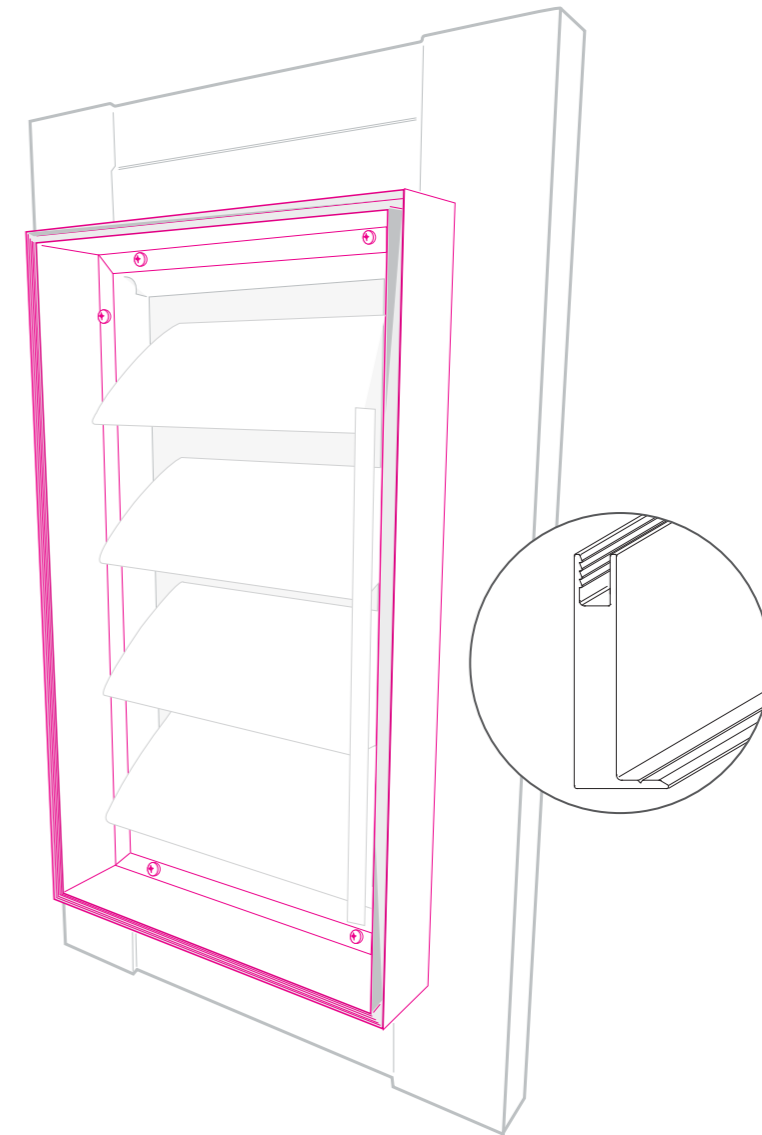
The buildout is mounted on the outside of the of the shutter, giving you the freedom to allow airflow through without all the unwanted bugs.



## Vueline Aluminium Shutter

### Accessories Flyscreen buildouts

#### Flyscreen Buildouts



Design for easy installation and maintenance. Please Note: we do not supply Fly Screens Spline and Mesh.



## Vueline Aluminium Shutter

### Vueline Aluminium Shutter Warranty:

#### Warranty

We warrant the Vueline Aluminium Shutters (Product of CW Systems) to be free from defects in material or workmanship for 7 years.

This warranty is for the benefit of the original purchaser and is not transferable.

This warranty does not cover any situation arising where damage to the shutter or window has occurred through failure to follow prescribed instructions with respect to measurement, installation, cleaning or maintenance, nor does it cover unauthorised repairs, accidents, alterations, misuse, abuse, acts of God, or normal wear and tear.

This warranty solely covers the replacement of panels; all installation and ancillary costs are the sole responsibility of the dealer.

Warranty claims must be accompanied by proof of purchase, as well as details regarding the nature of the problem, location of the product etc.

All other warranties both expressed and implied are explicitly disclaimed. This warranty excludes all liability for consequential or incidental damages for any causes whatsoever.

This warranty is exclusive and in lieu of all other Obligations, Liabilities or warranties. In no events shall CW Systems be liable or responsible for incidental or consequential damages, or for any other direct or indirect damage, loss, cost, expense or fee.

## Vueline Aluminium Shutter

### Claiming Under Warranty:

When claiming under this Warranty to CW Systems, you must submit a completed Repair Request form through your original retailer, AND you must substantiate your claim with proof of the error or defect.

The customer must submit the form within a period of one calendar month of first detecting the defect.

A photograph is worth a thousand words and is the quickest and easiest way of providing proof of your claim. Please ensure you have a photograph of the entire window / shutter and also a close up/ detailed photograph of the problem, sufficient to identify the problem. If the problem exists on more than one panel, you must supply a photograph for each shutter panel.

A Repair is considered to be any order that relates to a previous order, whether making a warranty claim, re-ordering or just requiring a shutter part or panel for the same job.

The Repair Request form will be assessed by CW Systems and if accepted as a defect of material or labour, will be processed and sent onto the factory of manufacture for re-supply.

#### Your repair cannot be accepted if:

- The Repair Request form is not filled out correctly or in its entirety, including measurements, details of the cause and effect and the original order information.
- You are making a claim and have not supplied the relevant photographs.
- The job had not been paid for in full in accordance with the purchase order.
- The repaired shutters will be supplied to the original retailer for the purchaser's use.
- The Warranty Certificate has not been previously submitted within the stated time.

